

# Semi-Automatic Turntable Series

## Specifications

- **Production Speed:** Up to 40 LPH
- **Max Load Dimensions:** 52"(w) x 52" (l) x 110" (h)
- **Maximum Load Weight:** 4400 lbs
- **Turntable Height:** 3"
- **Turntable Diameter:** 65"
- **Turntable Construction:** 3/8" diamond plate steel
- **Turntable Drive Motor:** 1 HP VAC
- **Turntable Speed:** 5 - 12 RPM
- **Frame Construction:** Formed Steel
- **Film Carriage Motor:** 1/2 HP VAC Chain-Driven
- **Pre-Stretch:** Fixed 250%
- **Containment Force:** Multi-Level Variable
- **Film Threading:** Patented S-Pattern
- **Corner Compensation:** Load Cell
- **Control Panel:** Touch Screen HMI
- **Height Sensing:** Automatic via Photocell
- **Wrapping Menus:** 6 Programmable Menus
- **Utility Requirements:** 115V, 20 amps, 60Hz, 1PH
- **Safety:** Anti-Fall Device & Pressure Activated Safety Stop on Carriage, CE Compliant, UL, CUL
- **Available Options:** Ramp, Roping Device, Auto Film-Cutting Device, Scale Pkg, Top Platen Hold Down, 30" Film Carriage, Cold Pkg

## Key Features

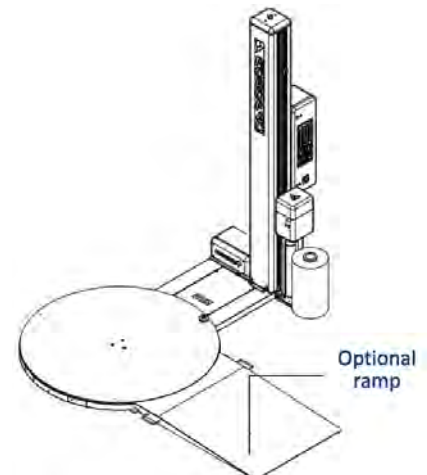
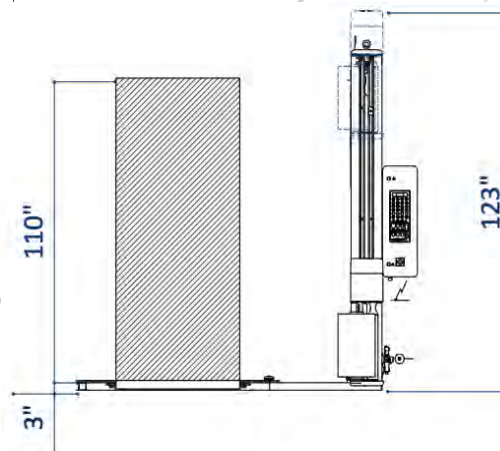
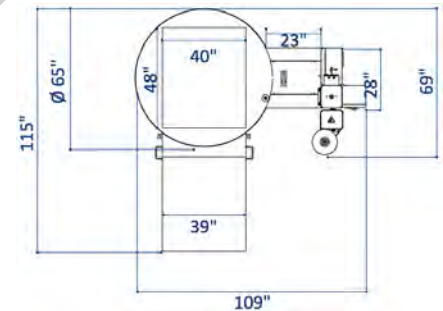
- ✓ Multi-Level Variable Containment Force
- ✓ 250% Pre-Stretch
- ✓ Standard 110" Wrap Height
- ✓ Icon Driven Touchscreen
- ✓ R-Connect Ready
- ✓ Warranty

**ROBOPAC**  
Innovation driven by values

## ROTOPLAT ROTOPLAT 508



## Layouts



Smart Solutions. Even Smarter Machines.  
Innovation | Reliability | Service

[www.robopacusa.com](http://www.robopacusa.com) | 866.713.7286 | [info.usa@robopac.com](mailto:info.usa@robopac.com)

